



9/1/2024

Glass Tube Rotameter

Q2024102

G/R/F Series Glass Tube Flowmeter

■ Summary

G/R/F10, 20, 30 glass tube flowmeter has three types of connection, they are threaded type (G10, 20, 30 types), hose type (R10, 20, 30 types), flange type (F10, 20, 30 types). It's divided into conventional type (Measuring general noncorrosive fluid) and corrosion resistant type (Measuring corrosive fluid.). The meter is featured with compactness, light structure, nice figure, convenient maintenance, safe and reliability, easy installation. The flange of F10, 20, 30 types can rotate to be aligned with the pipe holes on site.

G/R/F10, 20, 30 glass tube flowmeter can substitute the glass tube flowmeter installed on the complete production lines imported, are widely used in chemical industry, light industry, pharmacy, food industry, papermaking, environment protection, measuring, testing and scientific research institutes etc. to measure the flow rate of single phase non pulse fluid (liquid or gas).



■ Outline and Connection Size

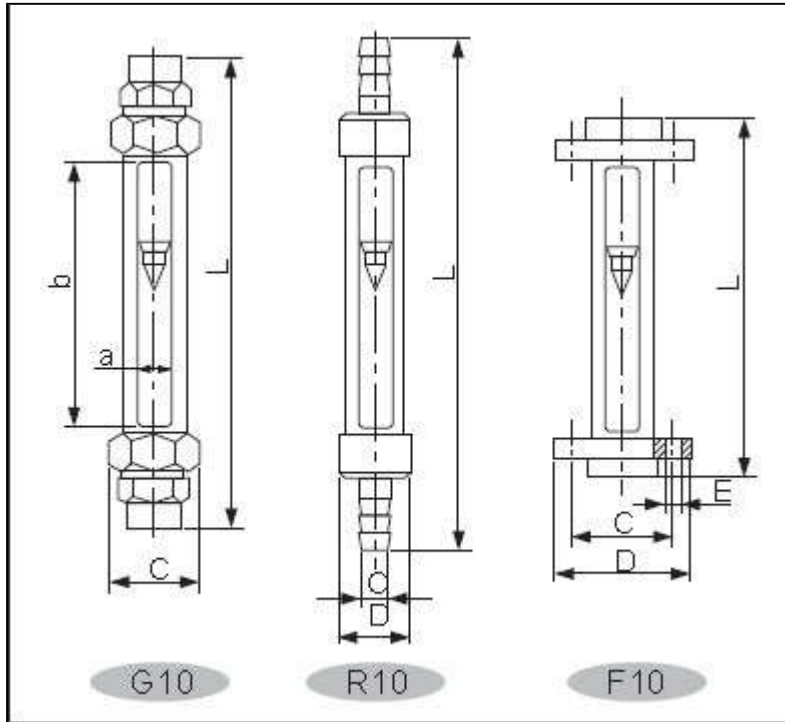
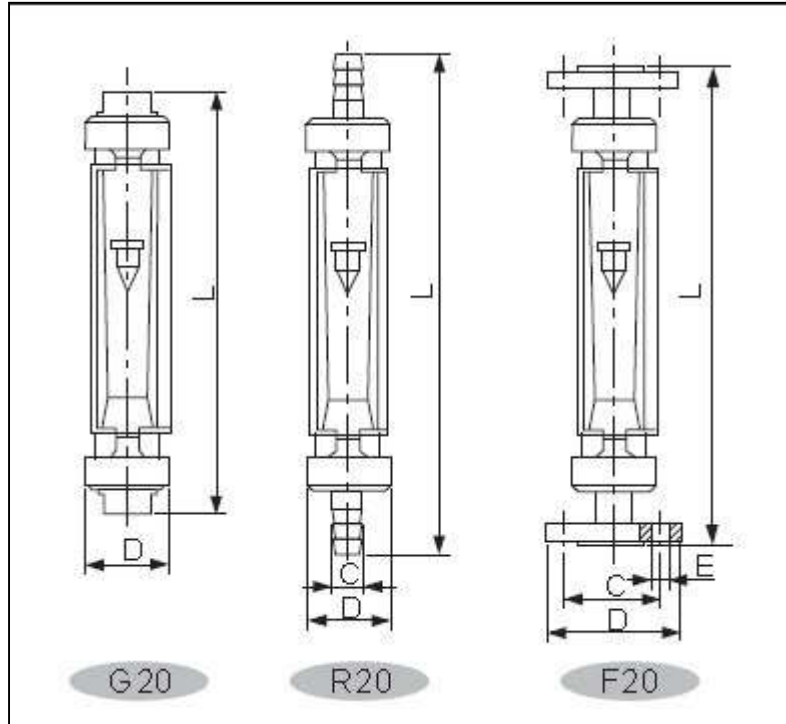


Table 1												Unit:mm	
DN(mm)	a×b	G10			R10			F10					
		L	C	Screw	L	C	D	L	C	D	E		
DN15	26×230	408	52	G1/2"	400	Φ17	Φ43	310	Φ65	Φ95	4-Φ14		
				G3/8"									
				NPT1/2"									
DN25	32×230	414	75	G1"	450	Φ27	Φ60	310	Φ85	Φ115	4-Φ14		
				G3/4"									
				NPT1"									
DN40	40×230	424	92	G1 1/2"	450	Φ44	Φ78	310	Φ110	Φ145	4-Φ18		
				NPT1 1/2"									
DN50	50×230	426	116	G2"	450	Φ54	Φ98	310	Φ125	Φ160	4-Φ18		



DN(mm)	G20			R20			F20			
	L	D	Screw	L	C	D	L	C	D	E
DN15	375	Φ 58	G1/2"	400	Φ 17	Φ 58	425	Φ 65	Φ 95	4-Φ 14
			G3/8"							
			NPT1/2							
DN25	375	Φ 74	G1"	450	Φ 27	Φ 74	425	Φ 85	Φ 115	4-Φ 14
			G3/4"							
			NPT1							
DN40	375	Φ 92	G1 1/2"	450	Φ 44	Φ 92	425	Φ 110	Φ 145	4-Φ 18
			NPT1 1/2							
DN50	375	Φ 112	G2"	450	Φ 54	Φ 112	425	Φ 125	Φ 160	4-Φ 18

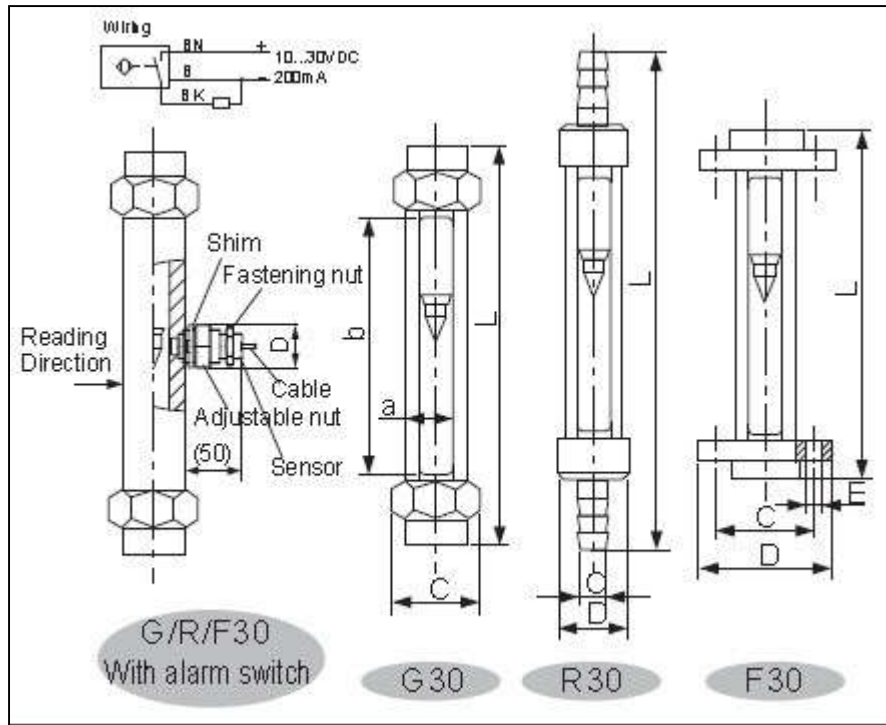


Table 3 Unit:mm

DN(mm)	a×b	G30			R30			F30			
		L	C	Screw	L	C	D	L	C	D	E
DN15	28×230	375	52	G1/2"	400	Φ 17	Φ 43	310	Φ 65	Φ 95	4-Φ 14
				G3/8"							
				NPT1/2							
DN25	32×230	375	75	G1"	450	Φ 27	Φ 60	310	Φ 85	Φ 115	4-Φ 14
				G3/4"							
				NPT1							
DN40	45×230	375	92	G1 1/2"	450	Φ 44	Φ 78	310	Φ 110	Φ 145	4-Φ 18
				NPT1 1/2							
DN50	55×230	375	116	G2"	450	Φ 54	Φ 98	310	Φ 125	Φ 160	4-Φ 18

■ Model and Technical Parameter

DN (mm)	Normal type	Anti-corrosion type	Flow range		Pressure loss(Pa)	Allowed measuring fluid condition		Accuracy degree						
			Water (20°C)L/h	Air (20°C /101325Pa)m3 /h		Pressure (MPa)	Temp. (°C)							
15	G10/20/30-15	G10/20/30-15F	10~100	0.3~3	1000	≤1.0	-20~+120	2.5						
	R10/20/30-15	R10/20/30-15F	16~160		1100									
	F10/20/30-15	F10/20/30-15F	25~250		1200									
			40~400		1700									
			63~630		2000									
25	G10/20/30-25	G10/20/30-25F	63~630	2~20	2800				≤0.9	-20~+120	2.5			
	R10/20/30-25	R10/20/30-25F	100~1000		4000									
	F10/20/30-25	F10/20/30-25F	160~1600		5000									
			250~2500		6000									
40	G10/20/30-40	G10/20/30-40F	160~1600	5~50	3400	≤0.7	-20~+120	2.5						
	R10/20/30-40	R10/20/30-40F	250~2500		4000									
	F10/20/30-40	F10/20/30-40F	400~4000		5000									
50	G10/20/30-50	G10/20/30-50F	400~4000	12~120	4800							≤0.7	-20~+120	2.5
	R10/20/30-50	R10/20/30-50F	630~6300		6500									
	F10/20/30-50	F10/20/30-50F	1000~10000		8500									

Notes:

1. The pressure of the medium in the flowmeter, for the liquid shall be at least two times of the pressure loss; for the gas must be exceed 5 times of pressure loss.
2. Accuracy class 1.5 can be ordered in special.
3. The maximal flow of corrosion resistant PTFE floater is one class lower than the conventional type.
4. The model of anti-corrosion type lining PTFE only for F10 and F30 series, model show as: F10-() F0, F30- () F0.

■ Material of Process Fluid Touching Parts

Material Parts	Model	G10-()	G10- () F	R10-()	R10-()F	F10-()	F10-()F
		G20-()	G20- () F	R20-()	R20-()F		F20-()F
			G30- () F		R30-()F		F30-()F
Float	304SS						
Upper & Lower stop	Nylon	Fluoroplastics	Nylon	Fluoroplastics	Nylon	Fluoroplastics	
Seals	Nitrile rubber	Fluor rubber	Nitrile rubber	Fluor rubber	Nitrile rubber	Fluor rubber	
Screw connection	Carbon steel (Zinc plating)	304SS	-		-		
Connection	Aluminum(G20)	304SS	-		-		
Hose connection	-		Al	304SS	-		
Flange connection	-		-		Al	304SS	

Notes: Other materials are customized.

AR-G30S() series glass tube flow meters

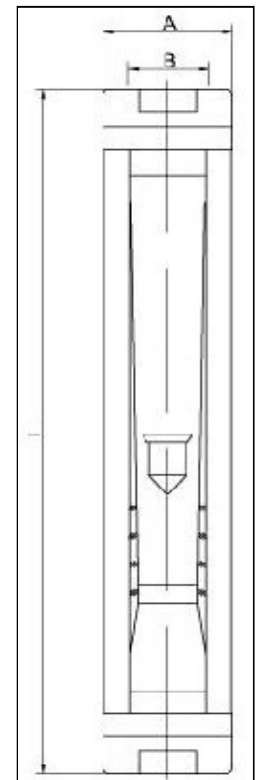
■ Summary

AR-G30 series glass tube flow meters are the new design products in our company, with stainless steel body and screw connection. Featured with high quality, nice figure, easy installation, safety and reliable. Can be widely used for chemical, pharmacy, paper making and metering, scientific research.



■ Technical Parameter

DN (mm)	Measuring range		Pressure (MPa)	Temperature (°C)	Accuracy
	Water(L/h)	Air(m ³ /h)			
15	10~100	0.12~1.2	≤1.0	-20~+120	2.5
	16~160	0.2~2			
	25~250	0.3~3			
	40~400	0.5~5			
	63~630	0.8~8			
25	63~630	1.2~12	≤0.9	-20~+120	2.5
	100~1000	2~20			
	160~1600	3~30			
	250~2500	5~50			
40	160~1600	6~60	≤0.7	-20~+120	2.5
	250~2500	8~80			
50	400~4000	12~120	≤0.7	-20~+120	2.5
	630~6300	20~200			
	1000~10000	30~300			



Outline and installation dimension

DN(mm)	A	B	L
DN15	Φ45	G1/2"	344
DN25	Φ62	G1"	348
DN40	Φ80	G1½"	370
DN50	Φ99	G2"	380